

CONTINUOUS HINGE ENCLOSURES

Application

Designed for use as electrical junction boxes, terminal wiring boxes, instrument housings, and electrical control enclosures. Provides protection from dust, dirt, oil and water. For installation information, consult our installation manual at www.saginawcontrol.com.

Construction

- 0.063" carbon steel.
- Seams continuously welded and ground smooth, no holes or knockouts.
- Bolt-on continuous hinge with stainless steel pin.
- Stainless steel external screw clamps are quick and easy to operate.
- Pour in place oil and water resistant gasket.
- Standoffs provided for mounting optional subpanels.
- Welded mounting provision top and bottom of back.
- Ground stud on door and body.

Finish

ANSI-61 gray powder coated inside and out.
Optional subpanels powder coated white.

IS4 Industry Standards

NEMA Type 3R, 4, 12 & Type 13
UL Listed Type 3R, 4 & 12
CSA Type 3R, 4 & 12
IEC 60529 IP66

***To maintain Type 3R listing, drainage is required. Install equally rated drainage device or drill a 1/8 to 1/4 inch hole in the bottom center of the enclosure, approximately 1 inch from the right, and 1 inch from the left for drainage, use listed rain-tight or wet location hubs. Drip shield over the door is recommended for all outdoor applications.



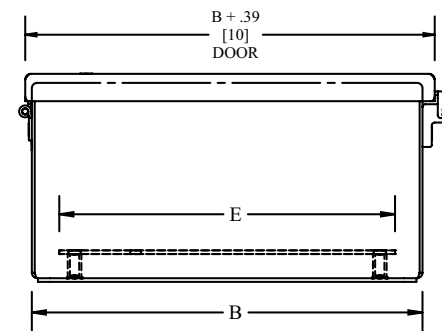
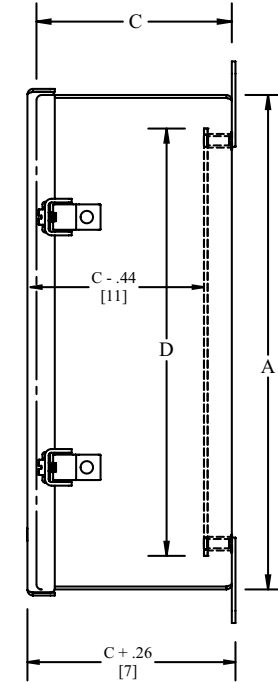
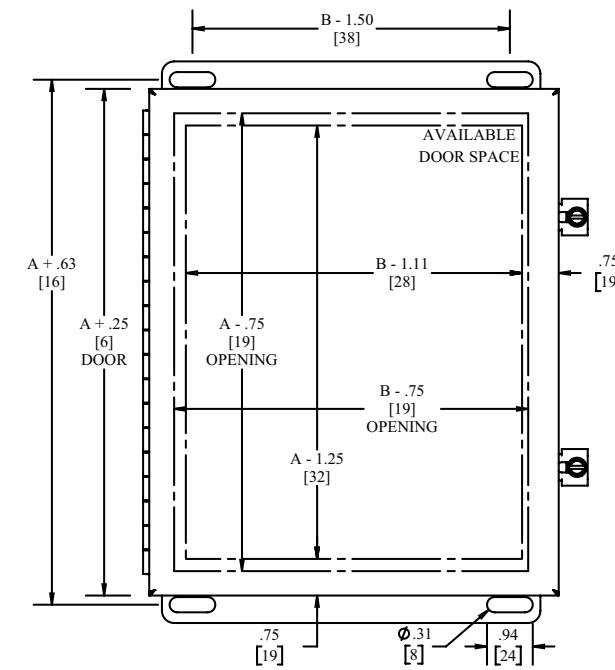
Enclosure Product Code A1

Subpanel (P3)

Catalog No.	Height (A)	Width (B)	Depth (C)	Industry Standard	Catalog No.	Panel Height (D)	Panel Width (E)
SCE-404CHNF	4.13	4.00	3.00	IS4	No Panel		
SCE-4044CHNF	4.13	4.00	4.00	IS4	No Panel		
SCE-604CHNF	6.13	4.00	3.00	IS4	SCE-6P4	5.00	3.00
SCE-6044CHNF	6.13	4.00	4.00	IS4	SCE-6P4	5.00	3.00
SCE-606CHNF	6.13	6.00	4.00	IS4	SCE-6P6	5.00	5.00
SCE-806CHNF	8.13	6.00	3.50	IS4	SCE-8P6	7.00	5.00
SCE-8066CHNF	8.13	6.00	6.00	IS4	SCE-8P6	7.00	5.00
SCE-808CHNF	8.13	8.00	4.00	IS4	SCE-8P8	7.00	7.00
SCE-8086CHNF	8.13	8.00	6.00	IS4	SCE-8P8	7.00	7.00
SCE-1008CHNF	10.13	8.00	4.00	IS4	SCE-10P8	9.00	7.00
SCE-1008CHSNE	10.13	8.00	4.00	IS4	SCE-10P8	9.00	7.00
SCE-10086CHNF	10.13	8.00	6.00	IS4	SCE-10P8	9.00	7.00
SCE-10106CHNF	10.13	10.00	6.00	IS4	SCE-10P10	9.00	9.00
SCE-12064CHNF	12.13	6.00	4.00	IS4	SCE-12P6	11.00	5.00
SCE-1210CHNF	12.13	10.00	5.00	IS4	SCE-12P10	11.00	9.00
SCE-1210CHSNE	12.13	10.00	5.00	IS4	SCE-12P10	11.00	9.00
SCE-12106CHNF	12.13	10.00	6.00	IS4	SCE-12P10	11.00	9.00
SCE-12108CHNF	12.13	10.00	8.00	IS4	SCE-12P10	11.00	9.00
SCE-1212CHNF	12.13	12.00	6.00	IS4	SCE-12P12	11.00	11.00
SCE-14086CHNF	14.13	8.00	6.00	IS4	SCE-14P8	13.00	7.00
SCE-1412CHNF	14.13	12.00	6.00	IS4	SCE-14P12	13.00	11.00
SCE-1412CHSNE	14.13	12.00	6.00	IS4	SCE-14P12	13.00	11.00
SCE-14128CHNF	14.13	12.00	8.00	IS4	SCE-14P12	13.00	11.00
SCE-16106CHNF	16.13	10.00	6.00	IS4	SCE-16P10	15.00	9.00
SCE-1614CHNF	16.13	14.00	6.00	IS4	SCE-16P14	15.00	13.00
SCE-1614CHSNE	16.13	14.00	6.00	IS4	SCE-16P14	15.00	13.00
SCE-16148CHNF	16.13	14.00	8.00	IS4	SCE-16P14	15.00	13.00
SCE-161410CHNF	16.13	14.00	10.00	IS4	SCE-16P14	15.00	13.00

Catalog Numbers containing an "S" are hinged on the short side.

CONTINUOUS HINGE ENCLOSURES TECHNICAL DATA



NOTE:
SUB-PANEL SOLD SEPARATELY.

CLAMPING NOTE:
ENCLOSURES < 10.00 [254] IN HEIGHT REQUIRE ONE CLAMP CENTERED VERTICALLY ON DOOR.